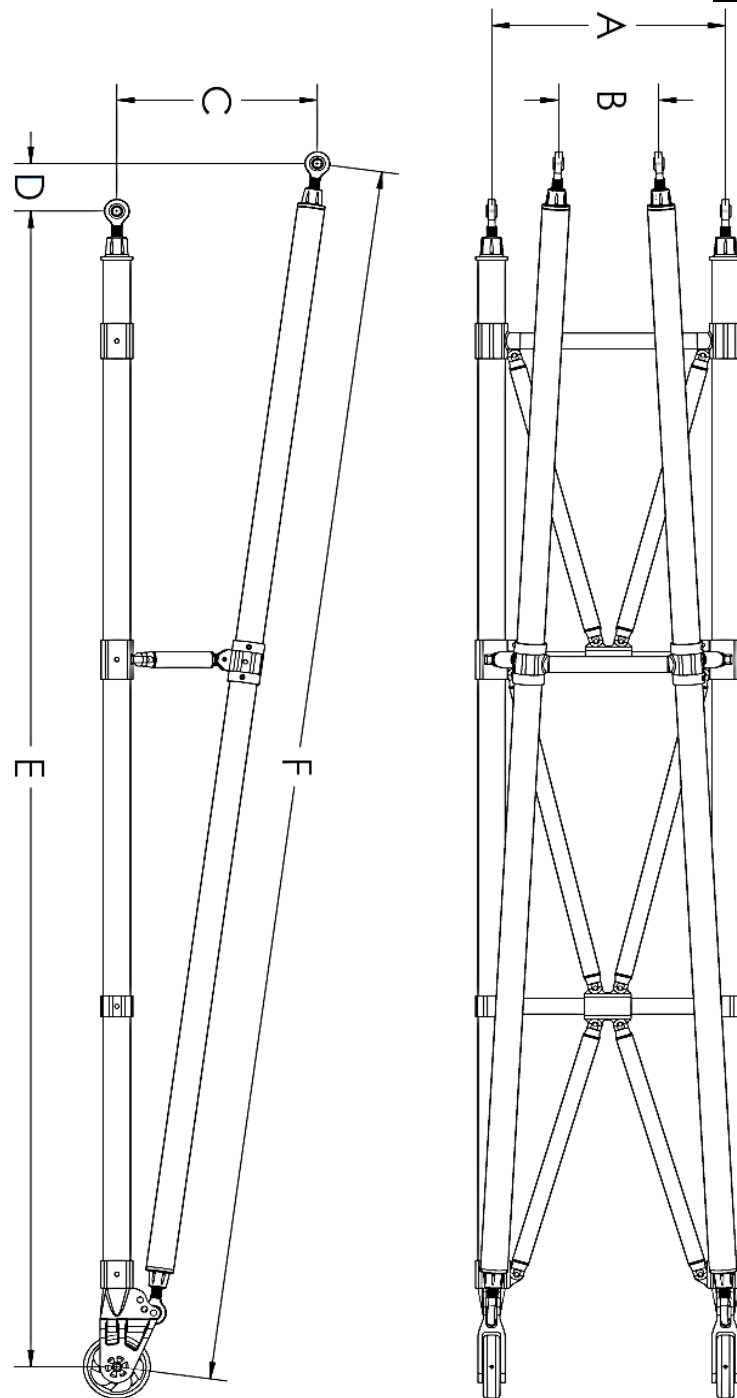




NAME
SHIP ADDRESS
CITY, STATE, ZIP
PHONE
EMAIL



BRAND OF REAR END	
<input type="checkbox"/>	SHEET METAL FABRICATED
<input type="checkbox"/>	BILLET ALUMINUM
<input type="checkbox"/>	MODULAR ALUMINUM

DIMENSIONS	
A	
B	
C	
D	
E	
F	
PINION ANGLE	

To measure your existing wheelie bars adjust them to the correct starting line wheel height before the removal process.

DISCLAIMER

Please be certain that the dimensions that you are providing on this form are accurate, as we take no responsibility for your dimensions and you may incur extra charges to correct the product. Do not hesitate to send an email if you need some assistance or helpful suggestions. Thank you for your cooperation.